



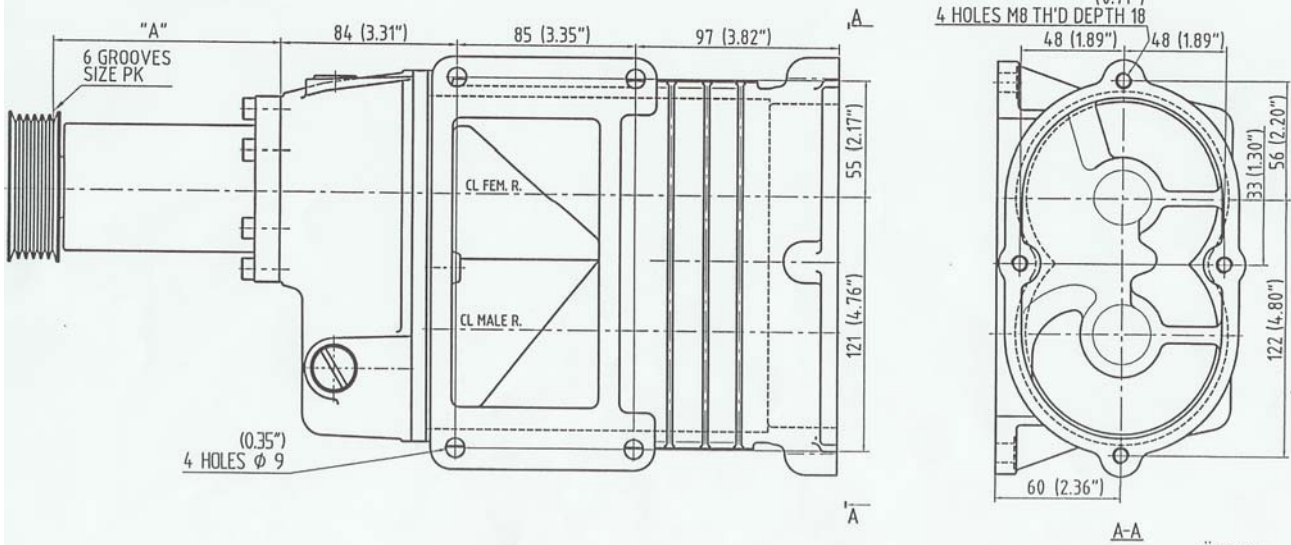
by
LYSHOLM
A MEMBER OF THE ROTOR GROUP

Lysholm Technologies Twin-Screw Supercharger 1200AX Dimension drawing

DISPLACEMENT 1.2 L/REV/0.0424 CFM/REV.
MAX SPEED 14000 RPM CONT.
INTERNAL LUBRICATION SYSTEM OR
CIRCULATING OIL FOR SOME APPLICATIONS

DIFFERENT DRIVE LENGTHS

Extension drives in various length
from "A" 4 5/16-11 5/16
110mm- 287mm



Ö14068